

FX30 PLUS

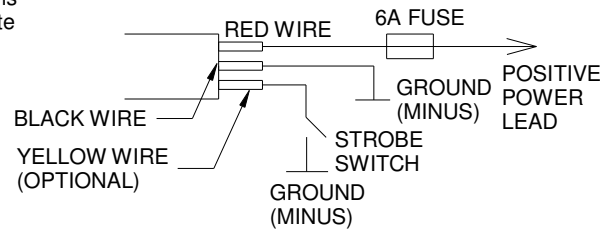
PROTECTED SPOTLIGHT AVAILABLE IN IP54 AND IP68/IP69K VERSIONS

All versions feature high efficient constant current power conversion with no PWM in all modes. It guarantees absolutely flickerless silent operation and greatly extends the lifespan

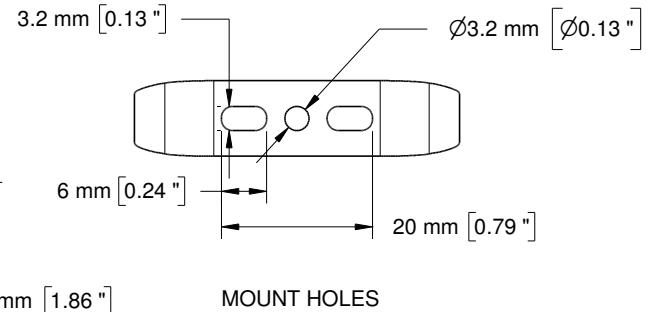
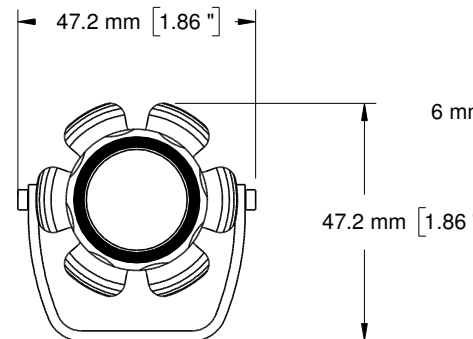
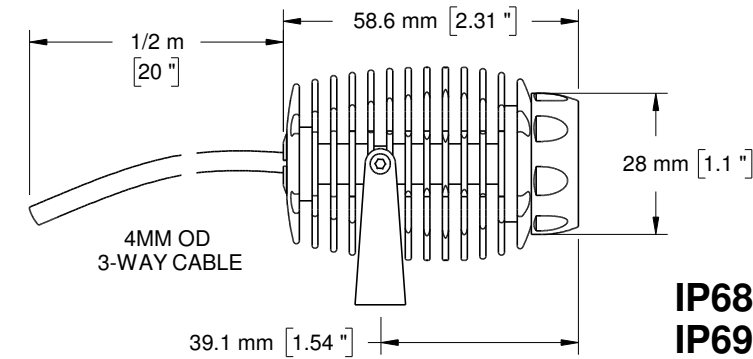
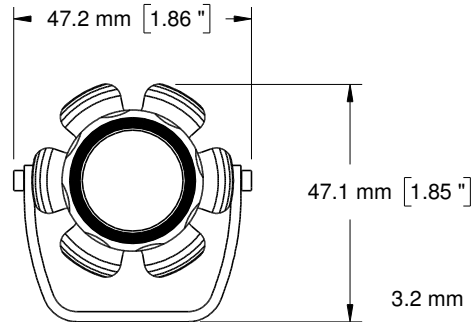
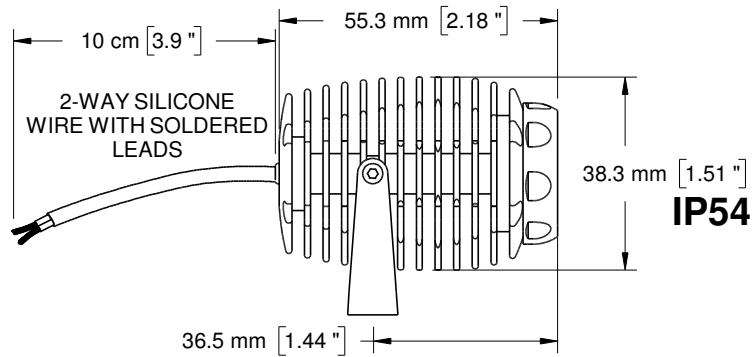
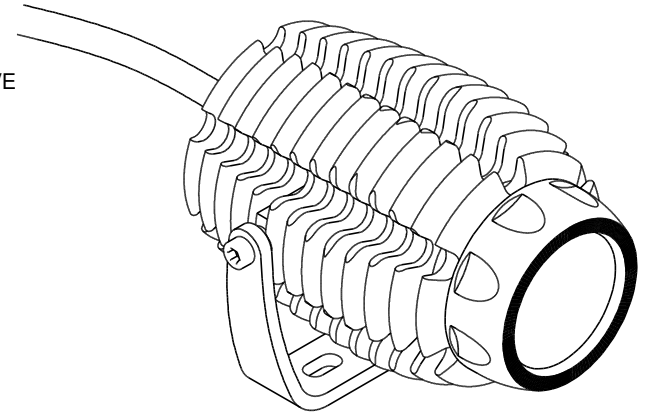
This system automatically seamlessly regulates the output to prevent overheating and maximize the amount of light produced. The peak is 40 Watts / 4000 LM is provided with CREE XP-L triple and adequate cooling

VERSION	ENGINE	INPUT VOLTAGE	INPUT AMPS	OUTPUT WATTS
HIGH VOLTAGE	3B35	9V TO 18V	UP TO 5 AMP	40W
LOW VOLTAGE	371D	2.6V TO 9V	UP TO 6 AMP	35W

REVISIONS				
ZONE	REV	DESCRIPTION	DATE	APPROVED



WIRING DIAGRAM
ALWAYS INSTALL A 6A FUSE



SIZE A	FSCM NO.	DWG NO. FX30 PLUS	REV
SCALE	SHEET		